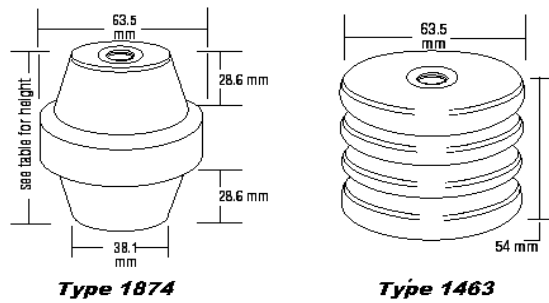
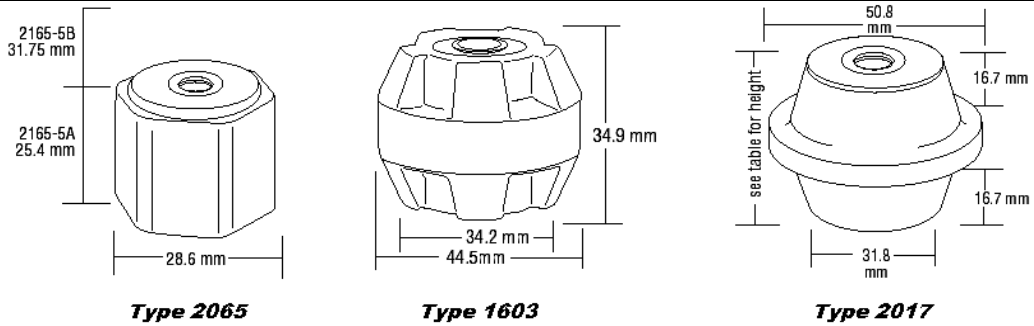


**Isolatoren**

# Isolator 600V

**Productomschrijving**

- Isolatoren voorzien van UL-keur toepasbaar voor 600V.



PART NO.	HEIGHT	THREAD SIZE	VOLTAGE	SHORT TIME ELECTRICAL STRENGTH kV	TENSILE STRENGTH (LBS.)	CANTILEVER STRENGTH (LBS.)	COMPRESSION STRENGTH (LBS.)	TORQUE STRENGTH (FT/LBS.)	ARC RESISTANCE (SEC)	UL SUBJECT 94 FLAME RESISTANCE	HEIGHT TOLERANCE (IN.)	CREEP DISTANCE (IN.)	TRACK RESISTANCE (MINUTES)
2165-5A 2165-5B	25MM 32MM	M6 M6	600 600	18.6 —	1,000 1,000	400 400	8,000 8,000	12 12	180 180	94 V-0 94 V-0	±015 ±015	1-5/8 + Insulator Height	600 600
1603-408 1603-410	35MM 35MM	M8 M10	600 600	10.0 10.0	2,000 5,000	1,500 1,800	20,000 20,000	25 30	180 180	94 V-0 94 V-0	±015 ±015	1-5/8 + Insulator Height	600 600
2017-1A 2015-2A 2017-3A 2017-2B 2017-3B 2017-2C 2017-3C 2017-4C	38MM 38MM 38MM 45MM 45MM 50MM 50MM 50MM	M6 M8 M10 M8 M10 M8 M10 M12	1500 1500 1500 2000 2000 2300 2300 2300	— — — — — — — 43.1	2,000 2,000 2,000 2,000 2,000 2,000 2,000	1,750 1,750 1,750 1,750 1,750 1,750 1,750	20,000 20,000 20,000 20,000 20,000 20,000 20,000	40 40 40 40 40 40 40	180 180 180 180 180 180 180	94 V-0 94 V-0 94 V-0 94 V-0 94 V-0 94 V-0 94 V-0	±015 ±015 ±015 ±015 ±015 ±015 ±015	1/4 + Insulator Height	600 600 600 600 600 600 600 600
2017-3D 2017-4D	56MM 56MM	M10 M12	2700 2700	— —	2,000 2,000	1,750 1,750	20,000 20,000	40 40	180 180	94 V-0 94 V-0	±015 ±015	1/4 + Insulator Height	600 600
1463-1A 1463-1B 1463-1C	53MM 53MM 53MM	M10 M12 M16	2500 2500 2500	49.3 27.9 21.0	3,000 3,000 3,000	3,500 3,500 3,500	60,000 60,000 60,000	50 50 50	180 180 180	94 V-0 94 V-0 94 V-0	±015 ±015 ±015	3-1/2 + Insulator Height	600 600 600
1874-1A 1874-2A 1874-3F 1874-1B 1874-2B 1874-1C 1874-2C 1874-1D 1874-2D 1874-1E 1874-2E 1874-3E	63MM 63MM 66MM 70MM 70MM 75MM 75MM 81MM 81MM 87MM 87MM 87MM	M10 M12 M16 M10 M12 M10 M12 M10 M12 M10 M12 M16	3200 3200 3400 3600 3600 4100 4100 4500 4500 5000 5000 5000	51.4 51.4 33.4 33.4 33.4 — — 43.1 43.1 55.2 55.2 55.2	2,500 2,500 2,500 2,500 2,500 2,500 2,500 2,500 2,500 2,500 2,500	3,000 3,000 3,000 3,000 3,000 3,000 3,000 3,000 3,000 3,000 3,000	60,000 60,000 60,000 60,000 60,000 60,000 60,000 60,000 60,000 60,000 60,000	50 50 50 50 50 50 50 50 50 50 50	180 180 180 180 180 180 180 180 180 180 180	94 V-0 94 V-0 94 V-0 94 V-0 94 V-0 94 V-0 94 V-0 94 V-0 94 V-0 94 V-0 94 V-0	±015 ±015 ±015 ±015 ±015 ±015 ±015 ±015 ±015 ±015 ±015	5/16 + Insulator Height	600 600 600 600 600 600 600 600 600 600 600