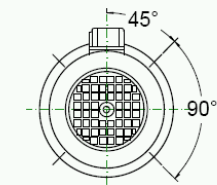
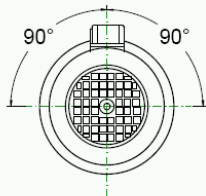


Waaierkappen

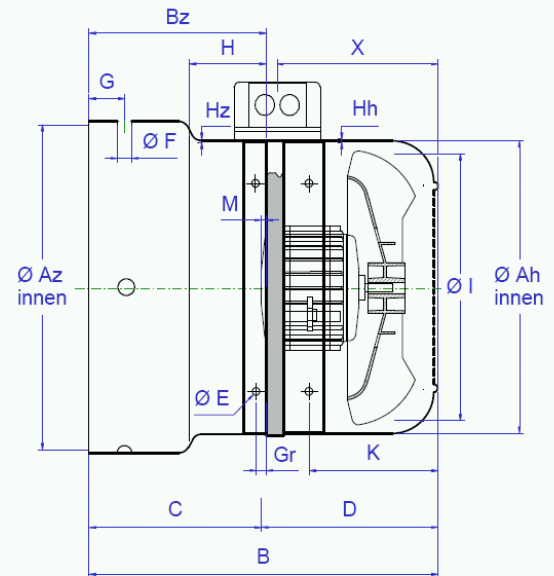
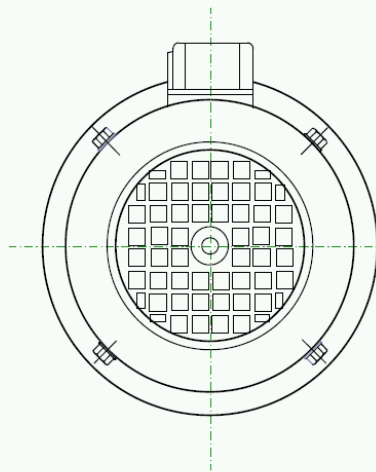
Geforceerde Koeling



Bj. 71 - 132



Bj. 160 - 180



Productomschrijving

- Geforceerde koeling , draairichting afhankelijk.

| Type | ØAz | Ah | B | Bz | C | D | M | ØE | ØF | G | Hh | Hz | I | K | X | Gr |
|----------|-------|-----|-----|-----|-----|-----|-----|----|-------|----|-----|-----|-----|------|-------|----|
| GK 56-2 | 108.5 | 121 | 175 | 65 | 59 | 116 | 6 | M4 | 4.8x6 | 10 | 1.0 | 1.0 | 115 | 57 | 87 | 5 |
| GK 63-2 | 121 | 121 | 165 | 55 | 49 | 116 | 6 | M4 | 4.8x6 | 14 | 1.0 | 1.0 | 115 | 57 | 87 | 5 |
| GK 71-2 | 136 | 136 | 165 | 73 | 50 | 115 | 23 | M5 | 6x9 | 10 | 1.0 | 1.0 | 130 | 60,5 | 68 | 5 |
| GK 80-2 | 154 | 154 | 166 | 76 | 53 | 113 | 23 | M5 | 6x9 | 14 | 1.0 | 1.0 | 146 | 61 | 72,5 | 5 |
| GK 90-2 | 174 | 174 | 178 | 78 | 60 | 118 | 18 | M5 | 6x9 | 16 | 1.0 | 1.0 | 167 | 70 | 83,5 | 5 |
| GK 100-2 | 192 | 192 | 188 | 78 | 65 | 123 | 13 | M5 | 6x9 | 18 | 1.0 | 1.0 | 185 | 77 | 92,5 | 5 |
| GK 112-2 | 216 | 216 | 199 | 85 | 70 | 129 | 15 | M5 | 6x9 | 16 | 1.0 | 1.0 | 209 | 83 | 96,5 | 5 |
| GK 132-2 | 255 | 255 | 204 | 72 | 75 | 129 | -3 | M5 | 6x9 | 23 | 1.0 | 1.0 | 209 | 94 | 114,5 | 5 |
| GK 160-2 | 307 | 307 | 248 | 112 | 95 | 153 | 17 | M6 | 7x14 | 25 | 1.5 | 1.5 | 275 | 111 | 75 | 25 |
| GK 180-2 | 345 | 345 | 257 | 102 | 110 | 147 | -8 | M6 | 7x14 | 35 | 1.5 | 1.5 | 300 | 120 | 85 | 25 |
| GK 200-2 | 382 | 382 | 297 | 119 | 150 | 147 | -31 | M6 | 7x14 | 38 | 1.5 | 1.5 | 300 | 140 | 105 | 25 |
| GK 225-2 | 430 | 430 | 446 | 154 | 195 | 151 | -41 | M6 | 7x14 | 42 | 1.5 | 1,5 | 300 | 150 | 115 | 25 |

Levertijd

- Op aanvraag leverbaar ook in 4-polige uitvoering.

Datum opmaak : 10-10-04

Blad 1/1
Bladzijde 60.40.06